

AP5410##H

INCLUSIVE SHOWER STOOL

**MAX USER
WEIGHT:
175KG
386lbs**



CONTACT DETAILS

UK: Croydex, Central Way, Andover, Hampshire,
SP10 5AW, UK

EU: MIL, Unit 8 Purcellsinch Ind Est, Dublin Road,
Kilkenny, R95 HP71, Ireland

Tel: +44 (0)1264 365881

Email: info@croydex.co.uk

www.croydex.com



**ALWAYS CHECK THE PACKAGING FOR FIXINGS AND PARTS BEFORE
THROWING AWAY AND RECYCLING.**

**ENSURE YOU HAVE ALL THE FIXINGS AND PARTS BEFORE ATTEMPTING TO
ASSEMBLE OR FIT THIS PRODUCT.**

**ALL ILLUSTRATIONS OF THE PRODUCT ARE
FOR REFERENCE ONLY. COMPONENTS
SUPPLIED WITH INDIVIDUAL PRODUCTS
MAY DIFFER**

**ALL PRODUCT DIMENSIONS DETAILED IN
THIS INSTALLATION AND MAINTENANCE
MANUAL ARE APPROXIMATE**

SAFETY & PRODUCT CARE

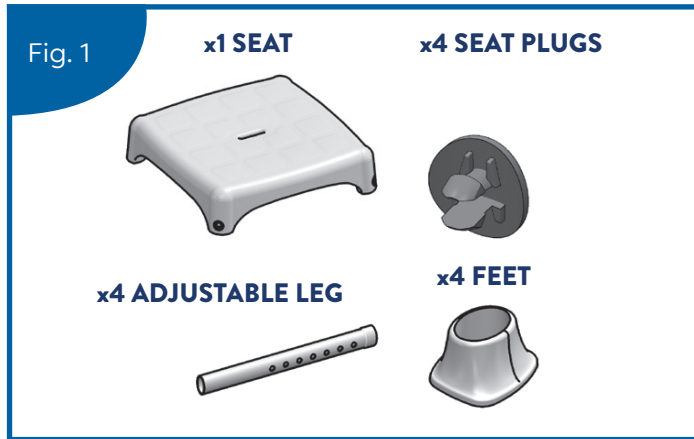
- 1. DO NOT** use power tools to assemble this product.
- 2. DO NOT** exceed the maximum user weight indicated in the fitting instructions.
- 3. ALWAYS** check the legs are level and locked in place and the arm rests and back rests are secure.
- 4. ONLY** use on surfaces free from obstacles.
- 5. ALWAYS** assemble in accordance with the instructions provided.
- 6. ALWAYS** make sure all four feet are in contact with the supporting surface at all times.
- 7. DO NOT** modify the shower stool and its components in any way.
- 8. DO NOT** use the shower stool if damaged or altered in any way.
- 9. REMOVE** the shower stool after use.
- 10. DO NOT** stand or kneel on the shower stool.
- 11. DO NOT** use abrasive or chemical cleaners as these may damage the product.
- 12. ALWAYS** clean the product regularly with a soft damp cloth to retain the best quality finish.

- Always follow the instructions provided to ensure that your product is assembled and fitted safely, and retains its high quality finish.
- Before attempting to fit or use this product, ensure that it can be properly installed in the desired location.

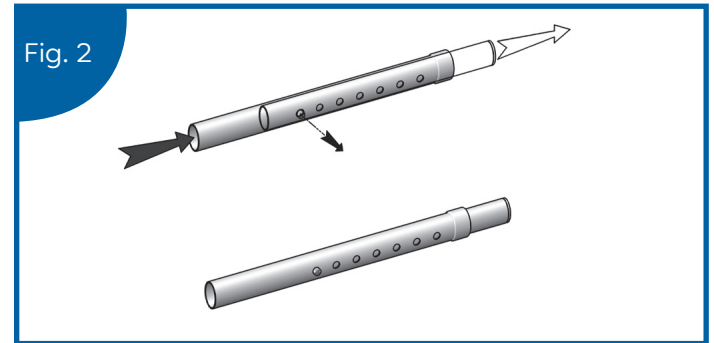
**ALWAYS RETAIN THIS MANUAL
FOR FUTURE REFERENCE**

INSTALLATION

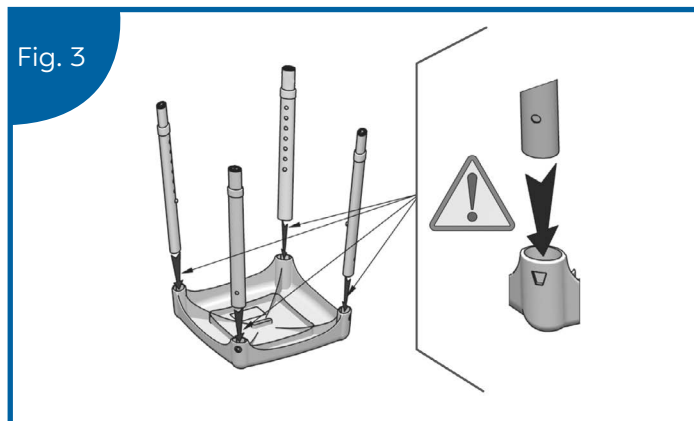
1. Check all components are in the packaging. (See fig. 1)



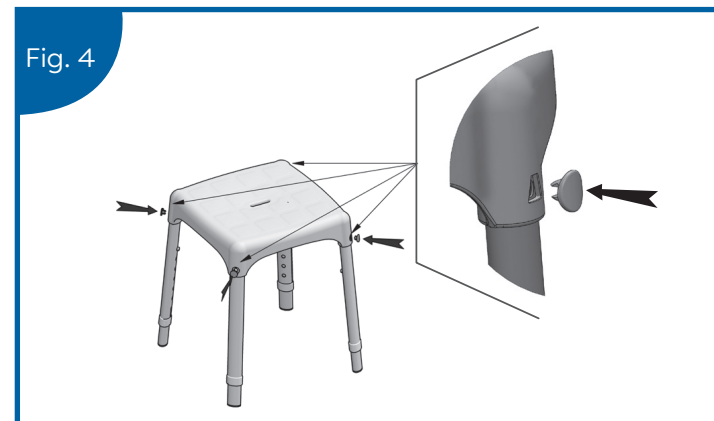
2. Assemble the leg by passing the thinner part of one of the legs through the back of the thicker part of one of the legs. Repeat this process for all four legs. (See fig. 2) **Note: Only when the stud pops out into the adjustment holes are the legs assembled**



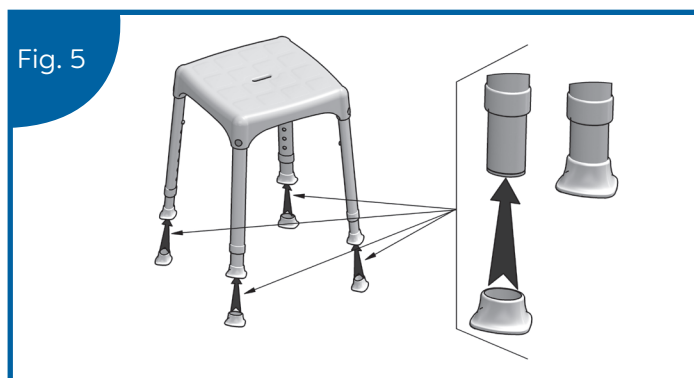
3. Firmly press all four adjustable legs into the bottom of the seat, ensuring that the adjustment holes are facing inwards and the fixing holes on the legs are aligned with the fixing holes in the seat. (See fig. 3) **Note: Ensure the thicker end of the leg is slotted into the seat to ensure the fixing holes line up and there is no movement.**



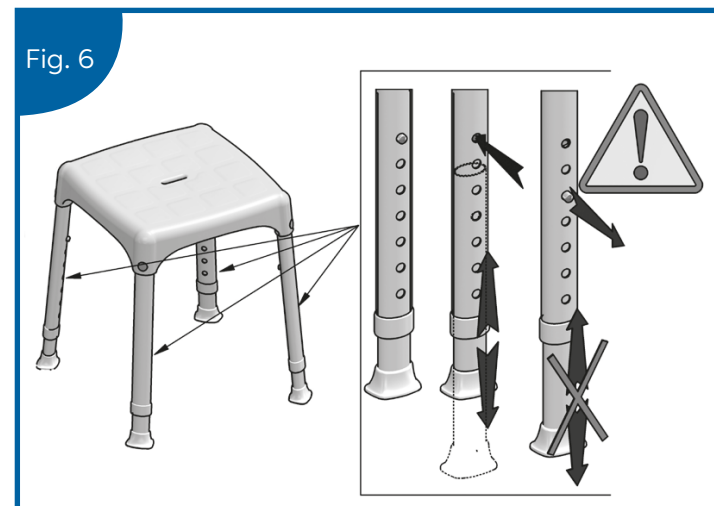
4. Press the seat plugs into the fixing holes to secure the adjustable legs to the seat. (See fig. 4) **Note: Ensure the seat plugs are aligned and orientated correctly.**



5. Firmly press the feet onto the bottom of each adjustable leg. Ensure the feet are angled outwards. (See fig. 5)



6. The height of the chair can be adjusted by depressing the locking button on each leg then sliding the thinner leg section up or down. Ensure that the locking button is relocated into one of the holes and check that the adjustable leg is locked in place before use. (See fig. 6) **YOU MUST ensure that all legs are fully secured and are at the same height before use.**



7. The chair is fully assembled and ready to be used. (See fig. 7) **Note: Ensure you have read the safety and product care section before use.**

